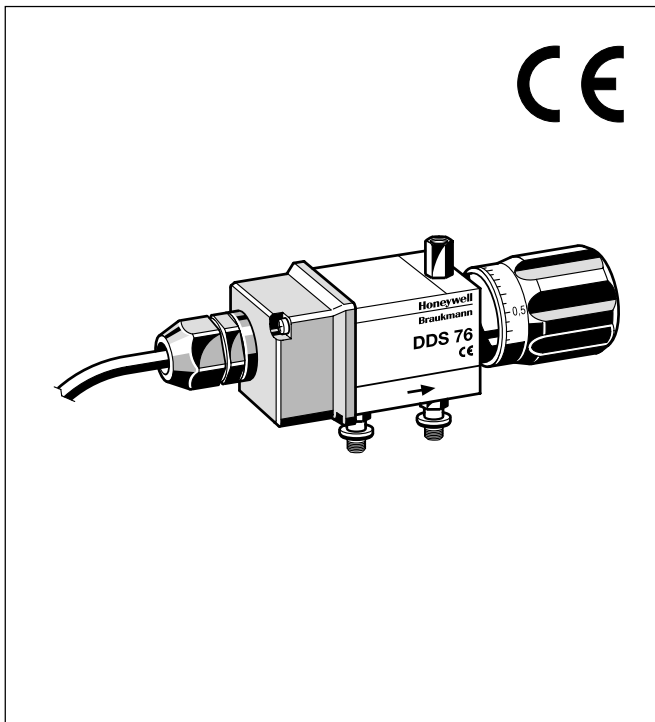


DDS 76

Differential pressure switch

Product specification sheet



Application

The DDS 76 differential pressure switch takes over control of the reverse rinsing operation on the Honeywell Braukmann F 76, F 76 S and F 76 S-F filters in conjunction with an automatic reverse rinsing actuator with volt-free contacts.

Special Features

- Easy setting of the differential pressure
- Simple installation
- Reliable, tried and tested

Range of Application

Medium	Water
Setting range	0.1 to 1.6 bar (set at 1.0 bar during manufacture)

Technical Data

Cable:	1 meter with connector bush
Maximum static pressure*:	25 bar
Maximum static operating pressure*:	16.0 bar
Maximum permissible temperature of medium:	+ 70 °C
Maximum permissible ambient temperature:	+ 80 °C
Microswitch hysteresis:	Approximately 2%
Maximum microswitch loading:	U _{max} = 24V I _{max} = 0.8A P _{max} = 19.2W

* Trouble-free operation of the unit is only assured up to a pressure of 16.0 bar. It can withstand pressures up to 25.0 bar without damage, but the switching function cannot then be guaranteed.

Materials

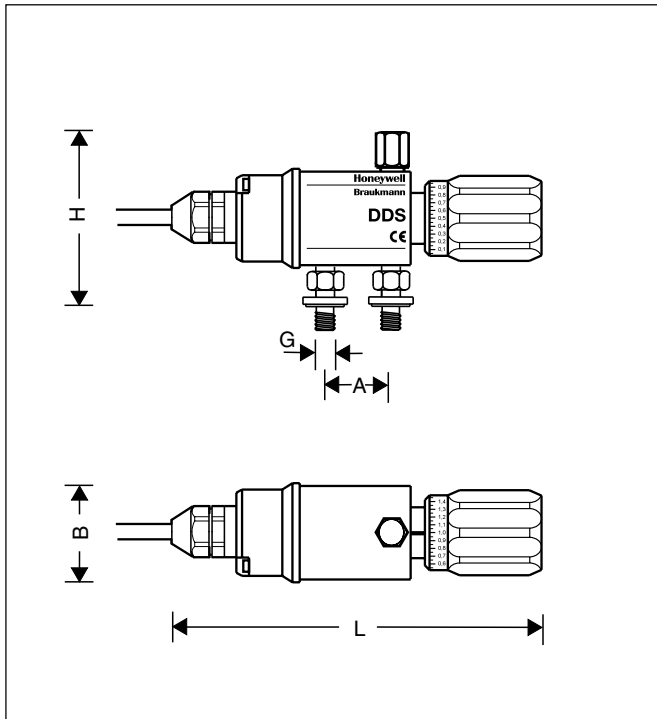
- High quality synthetic material housing

Connection Sizes

Suitable for:

- F 76 fine filters
 - In conjunction with Z 11 A or Z 11 AS automatic reverse rinsing actuators
- F 76 S fine filters
 - In conjunction with the Z 11 S automatic reverse rinsing actuator
- F 76 S-F fine filters with flanges
 - In conjunction with the Z 11 AS automatic reverse rinsing actuator

	for F 76	for F 76 S	for F 76 S-F
DDS 76 - 1/2	1/2" + 3/4"	1/2" + 3/4"	-
DDS 76 - 1	1" + 1 1/4"	1" + 1 1/4"	DN 65/80/100
DDS 76 - 1 1/2	1 1/2" + 2"	1 1/2" + 2"	-



Method of Operation

The DDS 76 differential pressure switch actuates the reverse rinsing operation by comparing the pressures before and after the filter mesh. If the differential pressure rises above the set value, then the automatic reverse rinsing actuator is operated via its volt-free contacts.

Connection sizes	R	1/2"	1"	1 1/2"
Weight	(kg)	0,9	0,9	0,9
Dimensions	(mm)			
	A	28	33	41
	B	44	44	44
	H	77	77	77
	L	160	160	160
	G	G 1/4"	G 1/4"	G 1/4"