

HydroION® VAS 200-CS1.5B



ITEM	RATING
Regulatory Approval	WRAS
Standards Compliance	BS EN 14743:2005+A1:2007
	DIN 1936-100:2008-02
Performance Data	
Nominal flow rate	2.92l/s (10.5m ³ /h)
Flow rate at blending to 60ppm	3.64l/s (13.1m ³ /h)
Operating pressure	2 – 8bar
Pressure loss at nom. flow	1.14bar
Water temperature	5 – 30°C
Ambient temperature	5 – 40°C
Inlet/outlet connections	40mm (1")
Drain line (min.)	50mm (2")
Power supply	230V/1ph/50Hz
Secondary electrical connection	12V AC/500mA
Power consumption	12W
Capacity and Consumption Data	
Capacity*	31.6m ³
Salt consumption per regen	16kg
Waste water per regen	1.22m ³
Volumes and Weights	
Resin volume	200l
Resin vessel volume	277l
Brine tank volume	460l
Regeneration salt stock	175kg
Shipping weight (complete unit) ca.	200kg
Operational weight (complete unit) ca.	600kg

*Assumes a mains water hardness of 300ppm total hardness (as CaCO₃)

Scale Control by Water Softening

For the removal of the water hardness salts (calcium and magnesium) a base exchange water softener shall be employed.

The system should be WRAS approved.

Unit size is dependent on water flow rate, water hardness and volume requirement. The capacity and location for the installation of the HydroION® water softener should be determined by the review of the system design by Hydrotec.

The softener will employ a high efficiency strong acid cation exchange resin of high quality mono-spherical grade to ensure optimum performance at very low brining rates (80g/l). This will minimise salt use and environmental impact.

To maintain biological integrity of the water softener system, HydroION® water softeners, as standard, employ an anti-stagnation regeneration facility (typically 4 days). Moreover, an automatic disinfection of the resin bed is performed by the integrated chlorinator at every regeneration cycle.

Typically, the HydroION® CS softener is controlled by a water meter. As standard this can be adjusted to time control and as an option a water hardness monitoring system can be fitted to control the hardness level.

The simplex unit comprises a single resin vessels and a brine tank. It is controlled by an electronic control head with an integrated water meter.

All HydroION® CS units have an optional hard water blending system.

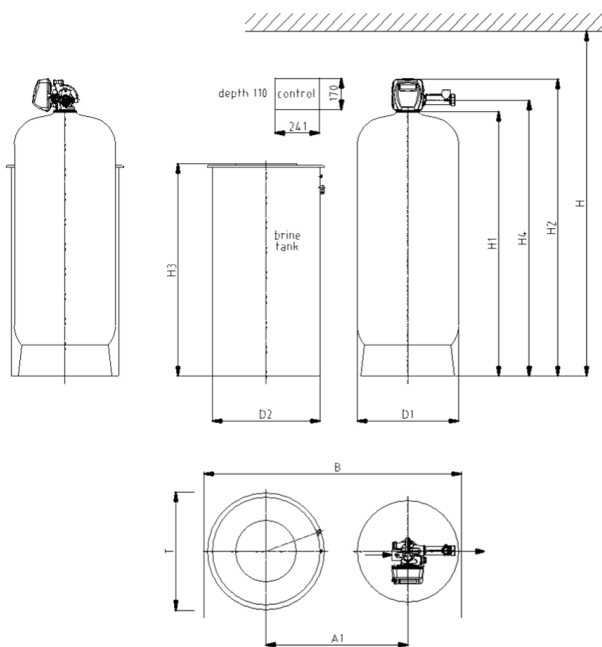
An LCD display indicates operational and fault status. Volt free connections to a BMS system are provided.

Power is to be provided through a 3A fused spur.

The unit is to be a HydroION® VAS 200-CS1.5B as detailed in the adjacent technical data table



HydroION® VAS 200-CS1.5B



HydroION VAS 200-CS1.5B		
Control box with mounting board ca.	B x H x T	330 x220 x130 mm
Block Dimensions		
Height (min.)	H	2165mm
Width (min.)	B	1500mm
Depth (min.)	T	850mm
Clearance tank/ tank ca.	A1	830mm
Diameter pressure tank	D1	555mm
Diameter brine tank	D2	833mm
Height pressure tank (incl. foot)	H1	1434 ± 15mm
Height top control valve	H2	1665mm
Height brine tank	H3	1196mm
Height inlet/outlet	H4	1520mm

Subject to technical revisions and modifications

Hydrotec
 Hydrotec House
 5 Manor Courtyard
 Hughenden Avenue
 High Wycombe
 Bucks HP13 5RE
 Tel: +44 (0) 1494 796040
 Fax: +44 (0) 1494 796049
 E-mail: sales@hydrotec.co.uk
 Website: www.hydrotec.co.uk