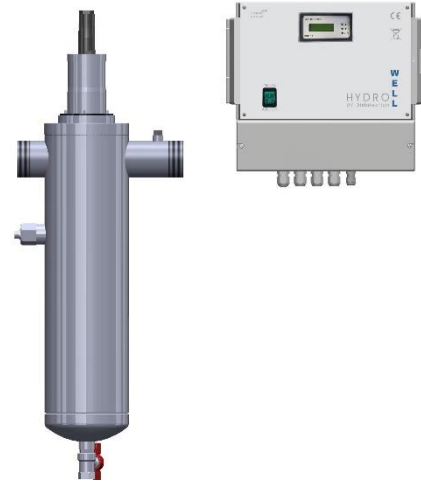


# HydroWELL® (the Successor to HydroPUR) Compact 2E



ITEM	RATING
Approval	WRAS
<b>Water Treatment Assembly</b>	
Flow Rate at 400 J/m <sup>2</sup> (40 mJ/cm <sup>2</sup> )	0.80l/s (2.87m <sup>3</sup> /h)
Flow Rate at 300 J/m <sup>2</sup> (30 mJ/cm <sup>2</sup> )	1.12l/s (4.02m <sup>3</sup> /h)
Flow Rate at 250 J/m <sup>2</sup> (25 mJ/cm <sup>2</sup> )	1.28l/s (4.59m <sup>3</sup> /h)
Operating pressure	0 – 16bar
Pressure loss at nom. flow	<100mbar
Water temperature	5 - 50°C
Max. ambient temperature	40°C
Inlet/outlet connections	1" BSP male thread
Material	Stainless Steel 316
Weight empty	5kg
Operating weight	7kg
<b>Control Box</b>	
Power supply	230V/1ph/50Hz
Power consumption	60W
Enclosure protection	IP54
<b>UV Lamp</b>	
Model	Mercury low pressure with indium-amalgam
Type	Ecolux 20N
Quantity	1
Serviceable life	8,000h
UV power new lamp	17W
After serviceable life	10W

## Biological Control by Ultra Violet Disinfection

For the bacterial control of the water system a HydroWELL® ultraviolet disinfecting unit shall be installed.

The system should be WRAS approved.

The location of installation should be determined by the review of the system design by Hydrotec.

The unit shall comprise a housing containing the UV lamp, with a UV sensor fitted as standard. The UV sensor is to provide the user with a continuous UV light intensity indication.

The UV lamp will have a doped quartz glass sleeve to prevent the formation of ozone and nitrates.

The unit shall incorporate a unique internal water flow path to prevent bacterial shadowing. Moreover, a particulate removal filter should be installed upstream of the UV unit to reduce the shadowing effect further as well as to prevent the fouling of the quartz sleeve and UV sensor.

A digital display on the control box shall be provided as standard for a visual representation of the UV intensity as well as operational hours. Volt free connections to a BMS system are provided.

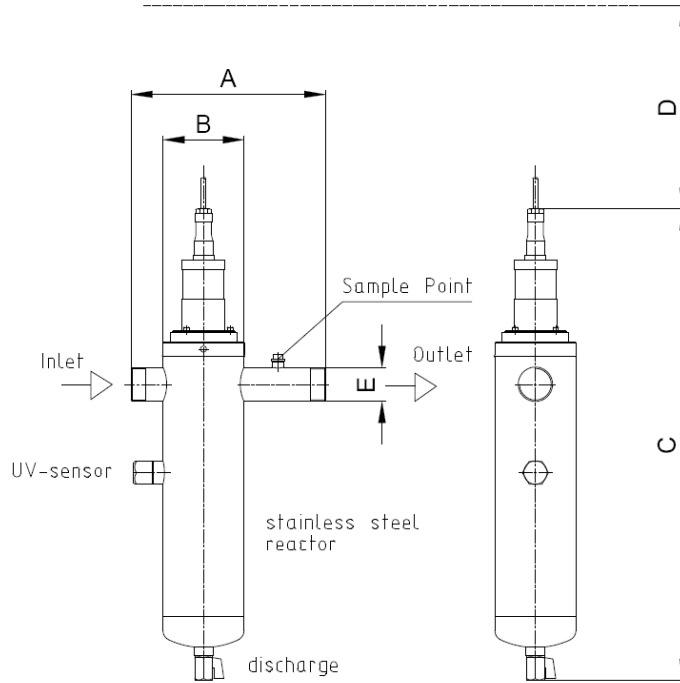
A control box should be connected to a 230V/1ph/50Hz supply through a 5A switchable fused spur.

The unit should be independently tested and validated in accordance with BS EN 14897:2006 + A1:2007.

The unit is to be a HydroWELL® Compact 2E as detailed in adjacent technical data table.



# HydroWELL® Compact 2E



Compact 2E		
Control box	W x H x D	330 x 305 x 170 mm
<b>Block Dimensions</b>		
Length	A	275mm
Depth	B	90mm
Height	C	600mm
Distance	D	>500mm
Inlet/ outlet connections	E	1" BSP

Subject to technical revisions and modifications

Hydrotec  
 Hydrotec House  
 5 Manor Courtyard  
 Hughenden Avenue  
 High Wycombe  
 Bucks HP13 5RE  
 Tel: +44 (0) 1494 796040  
 Fax: +44 (0) 1494 796049  
 E-mail: sales@hydrotec.co.uk  
 Website: www.hydrotec.co.uk